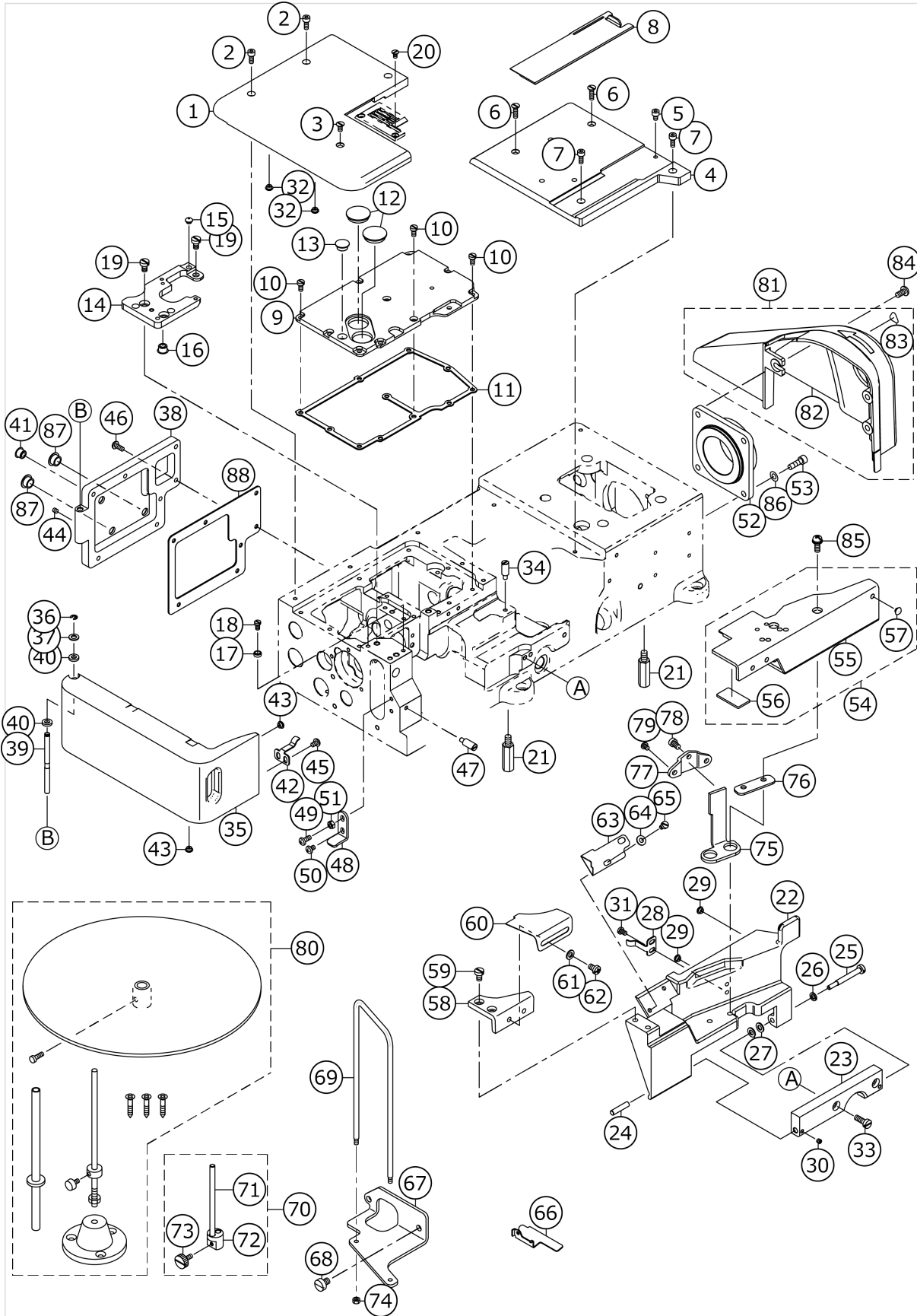


# MF-7500-C11

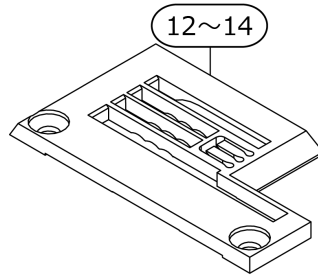
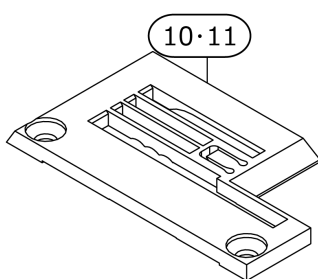
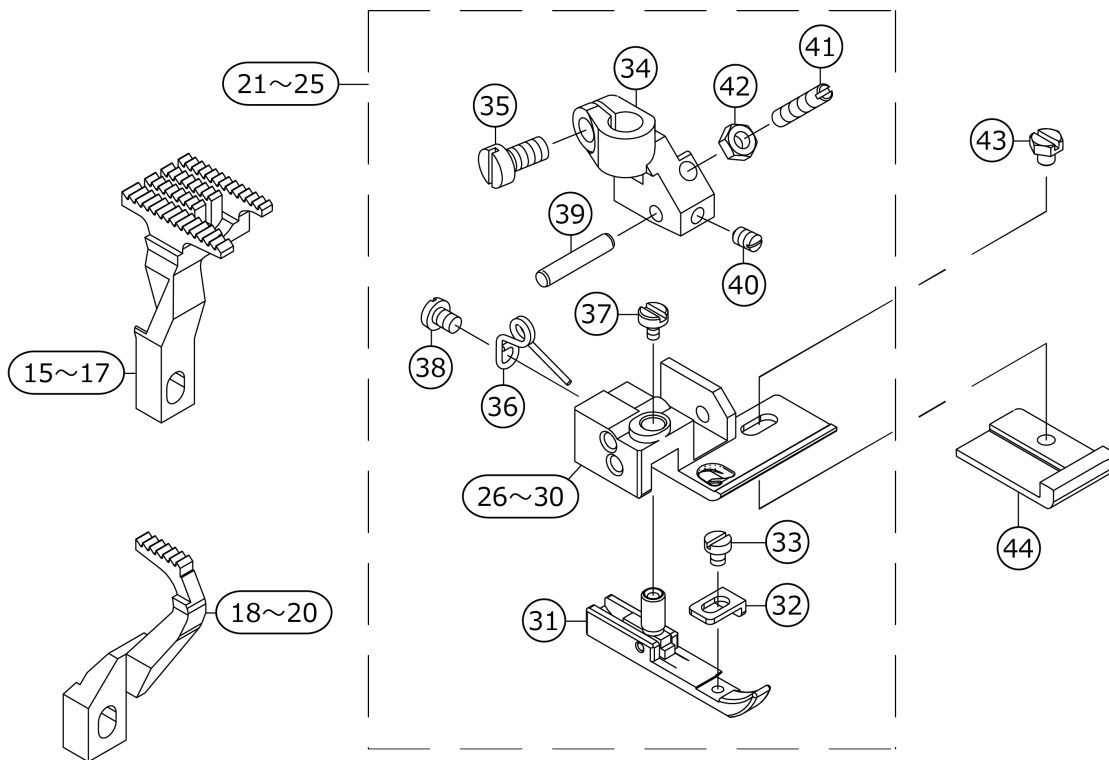
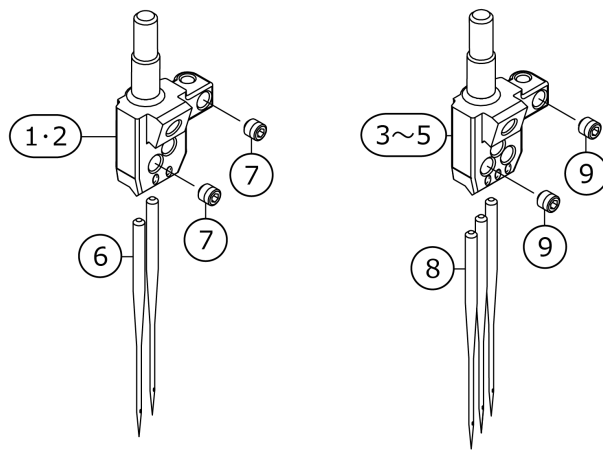
## COVER COMPONENTS



No.	品番	品名	備考	子部品	消耗品	個数
1	13303607	CLOTH PLATE LEFT				1.00
2	SM6041002TP	SCREW M4X0.7 L=10				3.00
3	SM1040800SP	SCREW				1.00
4	13303706	CLOTH PLATE RIGHT				1.00
5	SM6040602TP	SCREW M4X0.7 L=6				1.00
6	SM1041400SP	SCREW				2.00
7	SM6041002TP	SCREW M4X0.7 L=10				2.00
8	13303805	SLIDE COVER				1.00
9	70001415	BED_TOP_COVER				1.00
10	SM6040800SP	SCREW				11.00
11	70001423	GASKET_B				1.00
12	TA2050416R0	RUBBER PLUG				2.00
13	TA1050504R0	RUBBER PLUG				1.00
14	70001945	THROAT_PLATE_SUPPORT_C11				1.00
15	13302302	RUBBER BUMPER				1.00
16	TA0850604R0	RUBBER PLUG				1.00
17	40082196	ADJUSTING_COLLAR				2.00
18	SM6040750TP	SCREW M4 L=7				2.00
19	SM6050800SP	SCREW M5 L=8				3.00
20	13302203	SCREW				2.00
21	13301809	SUPPORT STUD				4.00
22	13303300	SWING DOWN COVER				1.00
23	70001898	HINGE				1.00
24	13409800	DIFF_LINK_PIN				1.00
25	70001414	SCREW				1.00
26	WS0510002KP	SPRING WASHER 5.1X9.2X1.3				1.00
27	WP0531000SC	WASHER 5.3X10X1				2.00
28	13304308	LATCH SPRING				1.00
29	13302302	RUBBER BUMPER				2.00
30	SM8040412TP	SET SCREW M4 L=4				2.00
31	SM4040655SP	SCREW M4 L=6				2.00
32	13302302	RUBBER BUMPER				1.00
33	SM6051400SP	SCREW				2.00
34	13302104	PIN				1.00
35	13304100	SIDE COVER				1.00
36	RE0300000K0	E-RING 3				1.00
37	WP0550800SP	WASHER 5.5X10X0.8				1.00
38	70001659	FEED_CHAMBER_COVER				1.00
39	13305107	PIN_FOR_SIDE_COVER				1.00
40	13302708	RUBBER_WASHER				2.00
41	TA0850604R0	RUBBER PLUG				1.00
42	13304308	LATCH SPRING				1.00
43	13302302	RUBBER BUMPER				2.00
44	SM8040412TP	SET SCREW M4 L=4				1.00
45	SM4040655SP	SCREW M4 L=6				2.00
46	SM4041055SP	SCREW				7.00
47	13302104	PIN				1.00
48	13304209	SUPPORT BRACKET				1.00
49	SM4041055SP	SCREW				1.00
50	SM4040655SP	SCREW M4 L=6				1.00

51	NM6040000SN	NUT M4				1.00
52	70001436	HOUSING				1.00
53	SM6051602TP	SCREW M5X0.8 L=16				4.00
54	13303458	ASSY_BRACKET	ACCESSORY PARTS			1.00
55	13303409	BRACKET		*		1.00
56	13305305	RUBBER_BOARD		*		1.00
57	13302302	RUBBER BUMPER		*		1.00
58	13366000	BRACKET				1.00
59	SM6050800SP	SCREW M5 L=8				2.00
60	13366208	BINDER_PLATE				1.00
61	WP0531001SC	WASHER M5				2.00
62	SM4050855SP	SCREW				2.00
63	40066085	FABRIC_GUIDE				1.00
64	WP0450826SC	WASHER 4.5X10X0.8				2.00
65	SM6040610SC	SCREW M4X0.7 L=6				2.00
66	40019893	TC_TAPE_GUIDE				1.00
67	13365002	BASE				1.00
68	SM6060800SP	SCREW M6 L=8				2.00
69	13365101	GUIDE				1.00
70	13365259	GUIDE_PIN_ASSY				2.00
71	13365200	GUIDE_PIN		*		1.00
72	13365309	PIN_BASE		*		1.00
73	13365507	SCREW		*		1.00
74	NM6040000SN	NUT M4				2.00
75	13304407	TAPE_BINDER_BRACKET				1.00
76	13366307	PLATE				1.00
77	13365408	FOLDER_CLAMP				1.00
78	SM6050800SP	SCREW M5 L=8				1.00
79	SS7110510SP	SCREW 11/64-40 L=5				2.00
80	40062154	TAPE_REEL_ASSEMBLY				1.00
81	70001831	DRIVING_BELT_COVER_ASSY				1.00
82	70001830	DRIVING_BELT_COVER		*		1.00
83	CM300200001	FINGER INJURY CAUTION LABEL (16)		*		1.00
84	SM4051055SP	SCREW				3.00
85	SL4051485SC	SCREW				2.00
86	WP0531000SD	WASHER M5				4.00
87	TA1050504R0	RUBBER PLUG				2.00
88	13304001	GASKET_F				1.00

# GAUGE COMPONENTS



No.	品番	品名	備考	子部品	消耗品	個数
1	13350004	NEEDLE HEAD 32	FOR B32			1.00
2	13350103	NEEDLE HEAD 40	FOR B40			1.00
3	13350202	NEEDLE HEAD 48	FOR B48			1.00
4	13350301	NEEDLE HEAD 56	FOR B56			1.00
5	13350400	NEEDLE HEAD 64	FOR B64			1.00
6	MUY128S1000	NEEDLE	FOR B32,B40			2.00
7	SM8030312TP	SCREW M3 L=3	FOR B32,B40			3.00
8	MUY128S1000	NEEDLE	FOR B48,B56,B64			3.00
9	SM8030312TP	SCREW M3 L=3	FOR B48,B56,B64			4.00
10	40058549	THROAT PLATE	FOR B32			1.00
11	13351408	THROAT PLATE	FOR B40			1.00
12	40057971	THROAT PLATE	FOR B48			1.00
13	13351606	THROAT PLATE	FOR B56			1.00
14	13351705	THROAT PLATE	FOR B64			1.00
15	40058555	MAIN FEED DOG	FOR B32			1.00
16	13353800	MAIN FEED DOG	FOR B40,B48			1.00
17	13353909	MAIN FEED DOG	FOR B56,B64			1.00
18	40058556	DIFF FEED DOG	FOR B32			1.00
19	13357702	DIFF FEED DOG	FOR B40,B48			1.00
20	13357801	DIFF FEED DOG	FOR B56,B64			1.00
21	40058579	PRESSER FOOT ASSEMBLY	FOR B32			1.00
22	40056504	PRESSER FOOT ASSEMBLY	FOR B40			1.00
23	40057973	PRESSER FOOT ASSEMBLY	FOR B48			1.00
24	40056410	PRESSER FOOT ASSEMBLY	FOR B56			1.00
25	40056411	PRESSER FOOT ASSEMBLY	FOR B64			1.00
26	40058578	PRESSER FOOT BOTTOM 32	FOR B32	*		1.00
27	40056505	PRESSER FOOT BOTTOM 40	FOR B40	*		1.00
28	40057972	PRESSER FOOT BOTTOM 48	FOR B48	*		1.00
29	40056405	PRESSER FOOT BOTTOM 56	FOR B56	*		1.00
30	40056406	PRESSER FOOT BOTTOM 64	FOR B64	*		1.00
31	40056412	YIELDING SECTION ASSEMBLY		*		1.00
32	40056404	PRESSER FOOT GUIDE		*		1.00
33	SM6850300SP	SCREW M2.5 L=3		*		1.00
34	13376504	PRESSER FOOT SHANK		*		1.00
35	SM6040800SP	SCREW		*		1.00
36	13376603	YIELDING SECTION SPRING		*		1.00
37	13376702	THREAD SPRING SCREW		*		1.00
38	SM4030455SP	SCREW		*		1.00
39	PH0300162C0	PARALLEL PIN 3X16		*		1.00
40	SM8030500SP	SCREW		*		1.00
41	13376801	SCREW FOR PRESSER FOOT		*		1.00
42	NM6030001SD	NUT M3X0.5		*		1.00
43	13378005	SCREW	OPTIONAL PARTS			1.00
44	40056407	TAPE GUIDE	OPTIONAL PARTS			1.00



# HOW TO MAKE USE OF THIS PARTS LIST

## 1.Explanation of codes

1)"\*"mark.....means this part is changed from the previous parts book.

As to the details of the change, refer to the "List for information of change".

2)"#01".....refer to "Note" explanation at bottom of page.

## 2.Codes on the "Qty" column

· Each numeral indicates the number of parts required.

· "0.1" and "2.5" indicate the length (in meters) of the respective parts.

3.Parentheses mean that the corresponding part is a subpart that constructs an assembly part.

4.Dotted lines on the Figures indicate assembly parts.